



RAPPER JERSEY

** The composition is subordinate to the product lot number. Please refer to the composition shown on the composition label.*

The trucker cap RAPPER JERSEY with its 100% jersey cotton fabric is perfect to



Technical accessories

Composition	Main Fabric: 87% Cotton 13% Polyester - Side&back: 100% Polyester - 220 gsm
Panels	5 Panels
Sweatband	Sweatband self fabric with 4 stitching (closed on back)
Eyelets	No eyelets
Buckram	Buckram oxford
Closure	Pvc Closure
Size	One size fits all
Packing	24 x 144
Custom code	6505.00.30
Made in	China

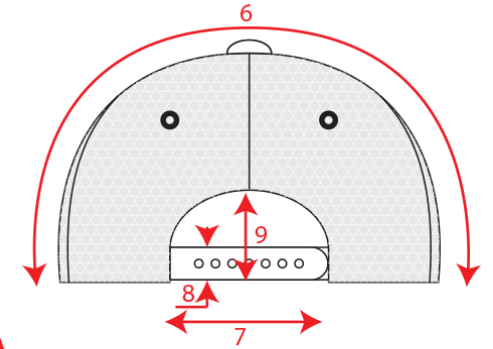
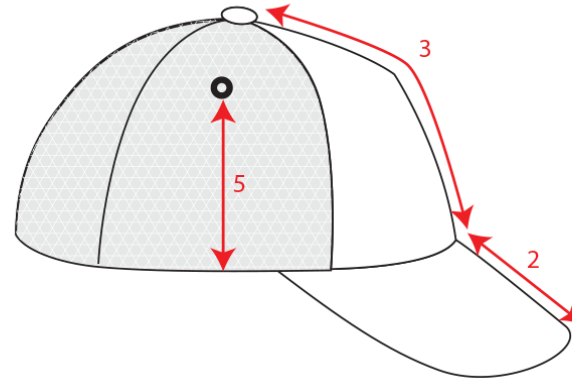
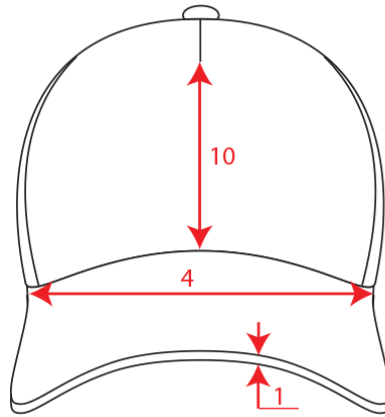
Where to customize

Centimeters

	Front	Back	Closure	Right	Left
Print	-	-	-	-	-
Embroidery	12 x 6	8 x 3,5	-	10 x 6	10 x 6
Heat transfer	-	-	-	-	-

Technical Size (cm)

- 1** 0.3
- 2** 7.2
- 3** 18.0
- 4** 18.3
- 6** 34.0
- 7** 6.5
- 8** 2.0
- 9** 6.0
- 10** 9.5



Color variants (TPX / Pantone)

BURGUNDY



FRONT PANEL: 19-1940 / 7641-C
SIDE: 19-1725 / 7421-C

LIGHT-GREY



FRONT PANEL: 14-4203 / COOL-GRAY-5-C
SIDE: 16-3802 / 408-C

DARK-GREY



FRONT PANEL: 18-0601 / 425-C
SIDE: 18-3907 / 425-C

BLACK



FRONT PANEL: 19-4006 / 426-C
SIDE: 19-4005 / BLACK-C

NAVY



FRONT PANEL: 19-3810 / 2380-C
SIDE: 19-3920 / 533-C